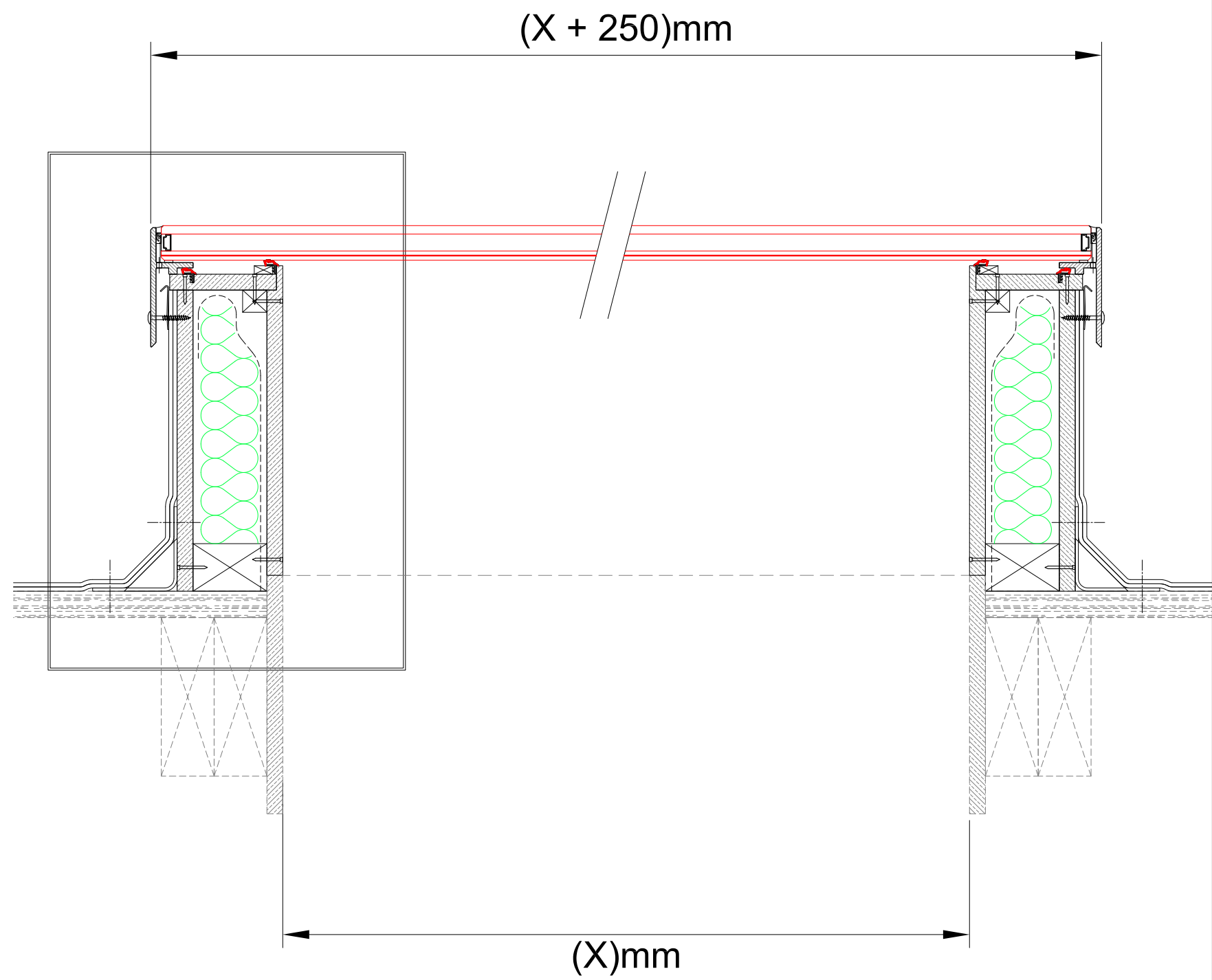


SCALE 1:2 @ A3



SCALE 1:5 @ A3



VITRAL (UK) Ltd.
 83, High Street
 Linton
 Cambridgeshire
 CB21 4JT
 E: +44 (0)1223 499000
 F: +44 (0)1223 499001
 E: vitral-uk@vitral.co.uk

VITRAL Skyvision - *FIXED (with 300mm upstand)*