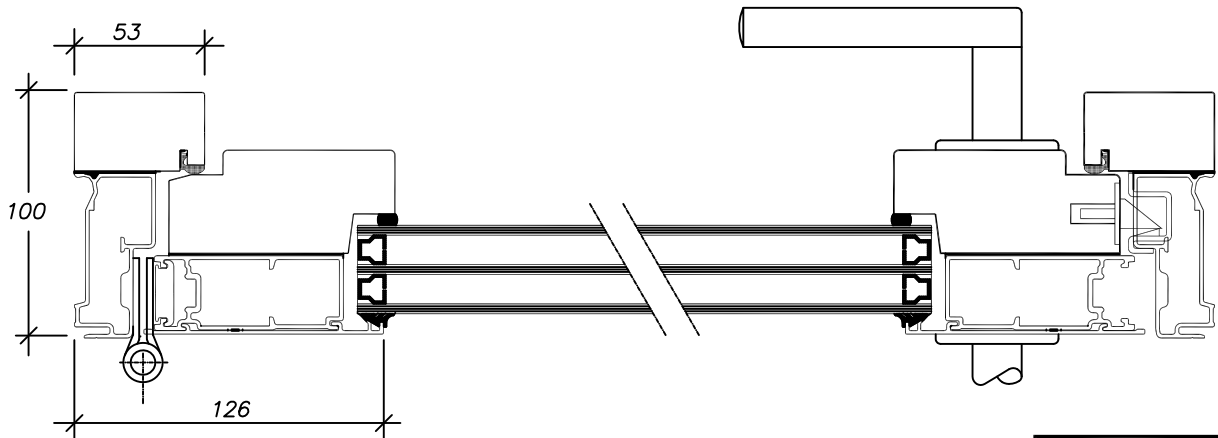
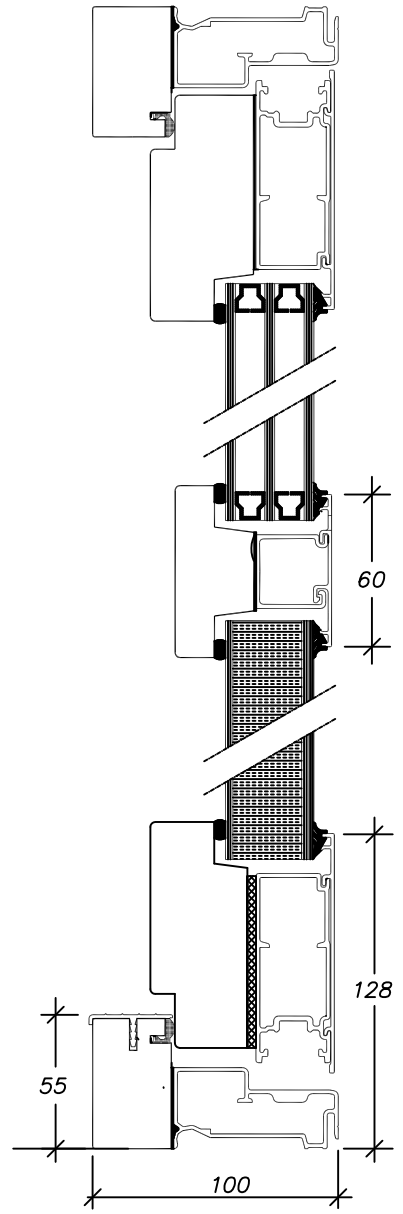


25 mm tröskel (tillval)



<b>SYSTEM</b>		
TRANSOM SINGLE INSULATED DOOR - TRIPLE GLAZED, 100MM DEPTH		
<b>SCALE</b>	NTS	<b>DATE</b> JULY 2016
<b>CONTRACT</b>	SECTION DETAILS	<b>DRAWING</b> HALD T4-12
		<b>REV</b> 0
		