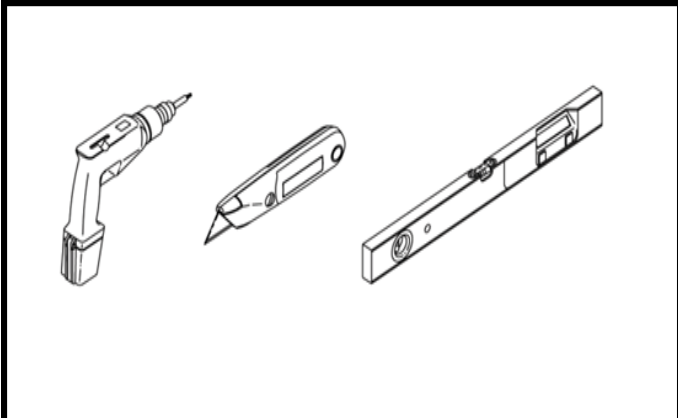


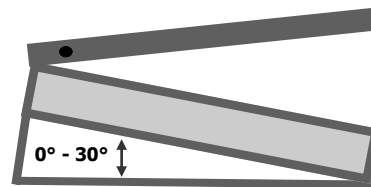
# Installation manual - SkyVision Comfort

## Tools you need



## Before you begin

**Important:** If the roof pitch is less than 5°, a wedge must be built underneath the product. Max roof pitch is 30°



## How to install SkyVision Comfort

